

# SEED TREATER SPECIFICATIONS



The "Low RPM/High Torque" motor & gearbox, combined with the adjustable slide gate, provides the accuracy of both systems.

The agitator spike on the steel blade keeps the product *moving smoothly*.



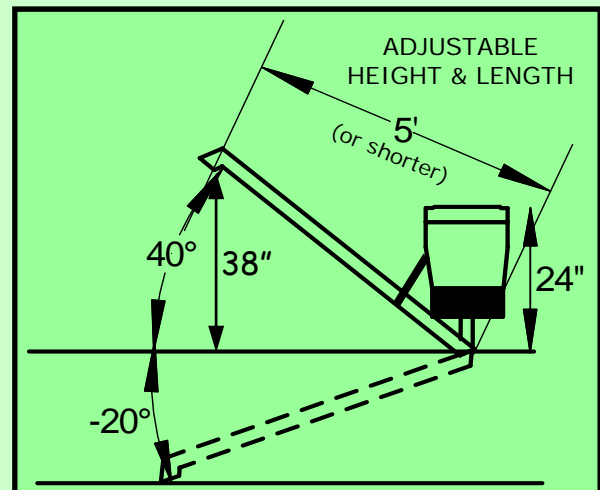
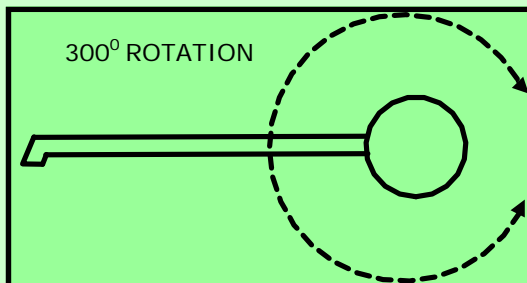
Auger Mount is complete with hanger brackets, mounting rails & wiring system. Special 2-way wiring powers both treater & auger. Discharge spout directs product onto "flowing" seed.

Both Direct & Auger Mount system can mount directly onto the seed tender or with mounting rails provided (see front of brochure). Direct mount is the most economical unit available.



<u>SPECIFICATIONS</u>	<u>DIRECT MOUNT</u>	<u>AUGER MOUNT</u>
<b>DEMINSIONS</b>	10.25" DIA. X 16.5" HEIGHT (plus hose length)	10.25" DIA. X 24" HEIGHT (to bottom of power unit)
<b>AUGER SIZE</b>	****	1.5" DIA. X 5' LONG (Length can be shorten)
<b>METERING RATE</b>	12# to 120# per Hour <sup>1</sup>	12# to 120# per Hour <sup>1</sup>
<b>CONTAINER CAPACITY</b>	12# <sup>1</sup>	12# <sup>1</sup>
<b>MOTOR/GEARBOX</b>	12Volt Low RPM/High Torque	(2) 12Volt Low RPM/High Torque
<b>POWER REQUIREMENTS</b>	.6 AMPS	1.2 AMPS
<sup>1</sup> Based on 80/20 Talc/Graphite		
<b>WIRING SYSTEM OPTIONS BOTH MODELS</b>	<b>FULL 60' WIRING</b> Battery Clips, 3-Way Switch (Also works with Optional Micro-Switch)	<b>DIRECT WIRING</b> Wires Direct to Seed Tender ON/OFF Switch

**ADJUSTABLE HEIGHT & 300° AUGER ROTATION ALLOWS LOWER MOUNTING HEIGHT**



**ENVIROPAC, INC.**

229 State Route 251 • Box 229 • Compton, IL 61318 • Phone (800) 752-1414 • Fax (815) 497-2300

[www.enviropacinc.com](http://www.enviropacinc.com)

NOTE: Pictures shown may not show exact features of current models.